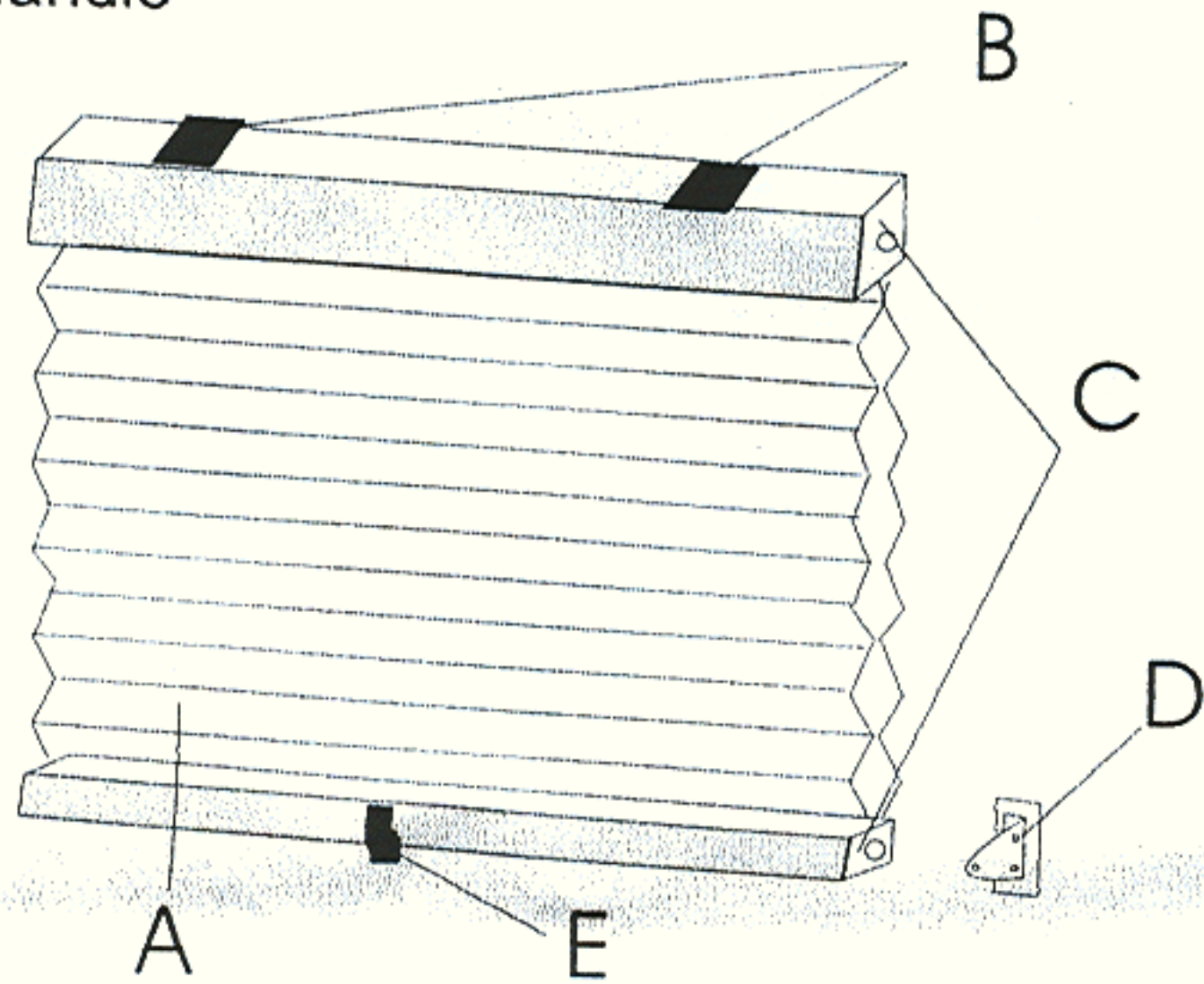


Congratulations on purchasing one of the best shades in the market. You can take pride that your purchase will enhance the function and beauty of your home.

CONTENTS:

- A- Cellular shade
- B- Mounting brackets (with several 1" screws)
- C- Bottomrail and headrail endcaps
- D- Hold down brackets (with several 3/4" screws)
- E- Pull Handle



Recommended Tools :
Screwdriver, Pencil, Drill, Tape Measure, Level

WARNING :

Mounting shade into certain applications such as drywall, wood, or sheet metal surfaces may require appropriate fasteners, such as anchor screws or toggle bolts, which are not included in the package.

MOUNTING BRACKETS

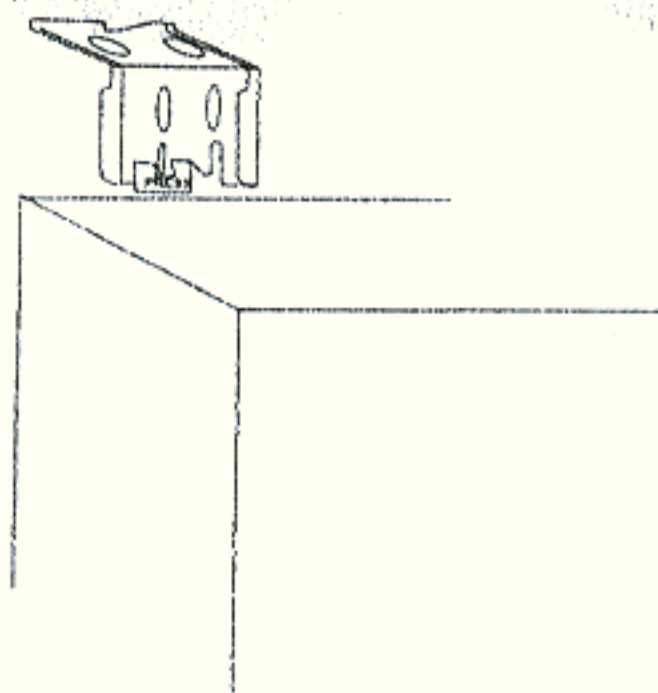
(NOTE: Secure mounting brackets using 1" screws)
When installing shade, brackets must be aligned and level for proper installation. A level can be used to accurately align the brackets.

Attach mounting brackets onto the headrail by hooking the front lip of the headrail over the front edge of the mounting bracket then push the bracket downward until it snaps into position. Mounting brackets should be positioned 2" to 4" from each end of the headrail. Be sure mounting brackets do not interfere with internal components of the cellular shade upon installation. For wider shades that require 3 or 4 brackets, center support brackets should be evenly distributed between the two outermost brackets.

For Outside Mount :

Hold shade up to window exactly as you will want it after installation and Make sure the cellular shade is level. Mark the exact location at the top of each bracket with a pencil.

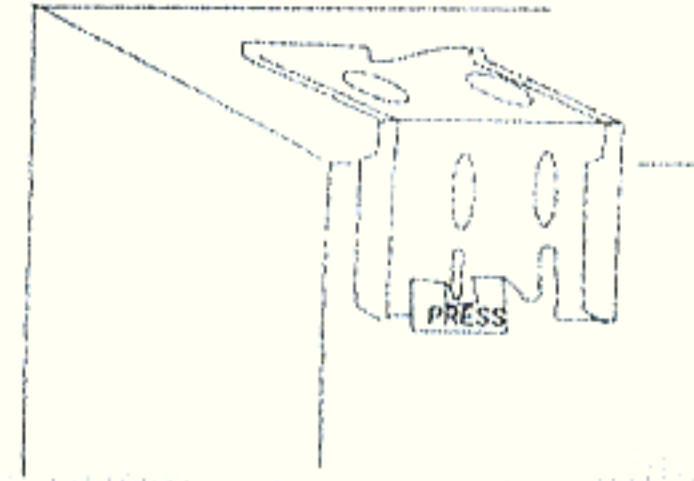
After making the marks, remove the brackets from the headrail and position the top of each bracket onto the wall or window molding.



For Inside Mount :

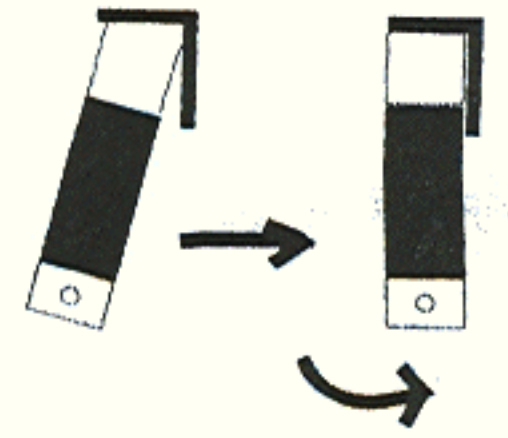
Hold shade up to window exactly as you will want it after installation and make sure the cellular shade is level. Mark the exact location at the rear of each bracket with a pencil.

After making the marks, remove the brackets from the headrail and position them in alignment with the marks.



HANGING YOUR CELLULAR SHADE

Hang the cellular shade by hooking the front lip of the head rail over the front edge of each of the aligned mounting brackets. Push the headrail upwards and back until it snaps into Position with the mounting brackets.



ATTENTION:

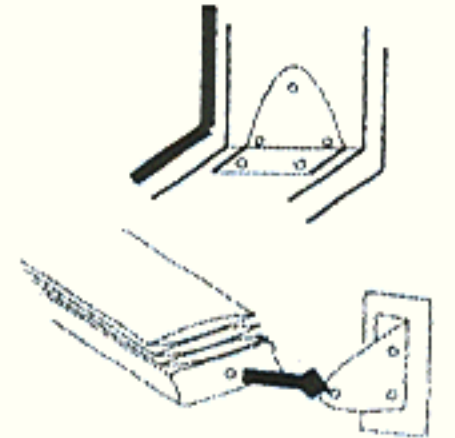
Due to the nature of the packaging and the fabric, the cellular shade may take time to drop to its full length after initial installation. Fully open and leave your cellular shade extended for approximately 2-3 days to allow the fabric to relax.

REMOVING YOUR CELLULAR SHADE

To remove your cellular shade, press the tab at the bottom of each bracket with the a screwdriver and rotate the shade forward releasing them out of each bracket.

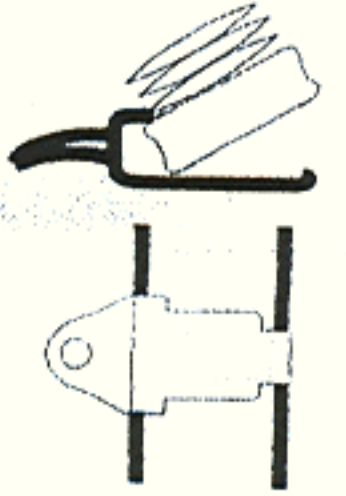
INSTALLING HOLD DOWN BRACKETS

Screw 3/4" screws into the base of the hold down bracket; snap bracket pin ends into the hole of the bottomrail endcaps.



INSTALLING PULL HANDLE (OPTIONAL)

A pull handle has been included in your package to assist in operating your shade. Clip pull handle by hooking the back of the pull handle to the back of the bottom rail and then snapping into place.



OPERATING YOUR CELLULAR SHADE

To lower and raise the shade, pull the bottomrail up or down to desired location and shade will automatically lock into place

NOTE :

Due to the nature of the internal components : If the shade is closed for an extended amount of time without any activity (where the internal spring is stretched out), opening the shade (the recoil of the spring) may require adjustment to return to its normal operation and desired location. This is due to the natural elasticity in the spring components. To adjust, push and pull the shade a few times to completely open and close the shade. This will assist the spring to return to its normal operation and the desired shade location.

If your shade has been cut and is not operating normally, please contact our customer service department immediately.

CLEANING INSTRUCTIONS

Routine cleaning will maintain the beauty of your shades. To care for your shades, simply vacuum using a clean brush or dust head attachment or dust using a soft, clean cloth.