

PRESTIGE® Window Fashions

New Product Introduction



October 15, 2007

New STANDARD TRACK for Vertical Blinds

Now available, anodized aluminum low profile track that is an economical choice for contract and residential applications.

- Smooth traversing strap system with **Snap-out Replaceable Stems**
- Self-aligning carriers



Quick Facts

Inventory: In-stock

Pricing: Refer to Track Only Pricing

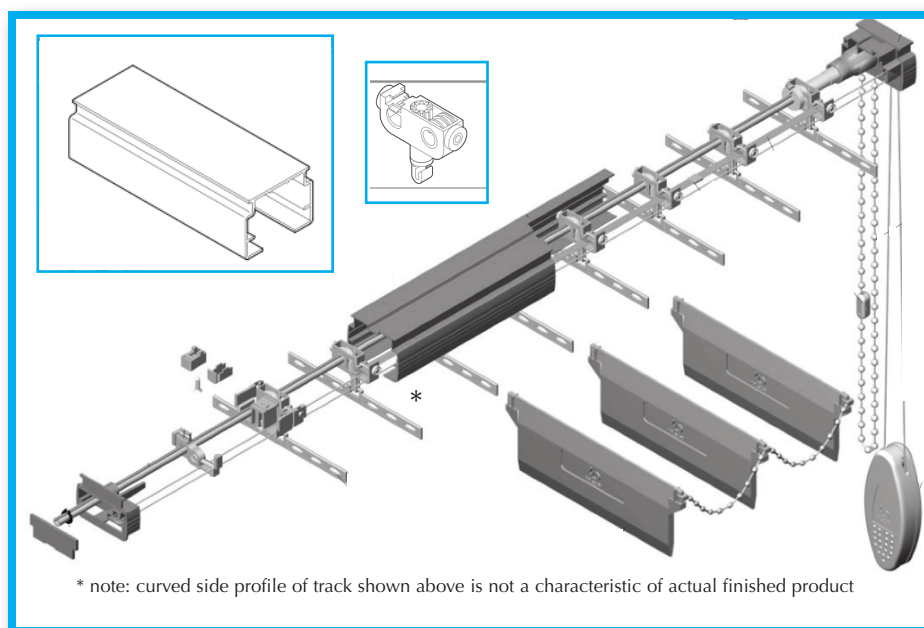
Color: Anodized Aluminum

Valances: same as previous styles

Stacking: same as previous tracks

Wand Control: NO

Motorization: NO



Specifications

- Headrail Dimensions 1 1/2" x 1 3/4"
- Max Width: 191"
- Max Length: 120"
- Min IB Mounting Depth: 2"
- IB Flush Mount: 3 3/4" for vanes in fully open position
- Vane overlap 3/8"

Deductions

- Inside Mount (IB) WIDTH: 1/4" HEIGHT: 1/2"
- Outside Mount (OB) none

